

# MANUAL AND MOTOR-OPERATED INDUSTRIAL HOSE REELS SERIES 700

## No. 506/700



**ADVANCED FLUID  
MANAGEMENT SOLUTIONS**



**ESSENTIAL TO MANY INDUSTRIAL APPLICATIONS**





**ADVANCED FLUID  
MANAGEMENT SOLUTIONS**





# SERIES 700 MANUAL AND MOTOR-OPERATED PAINTED STEEL



## INDEX

**Technical characteristics** page 4



**Series 700 electric 24V** page 8



**Series 700 manual** page 6



**Series 700 electric 115V** page 9



**Series 700 hydraulic** page 10



**Series 700 pneumatic** page 11

**Accessories** page 12

**Applications** page 14

▶ Standard open hose guide.  
Enables fitting of two guides in opposite directions (see figure page 12 below)  
Available on request.

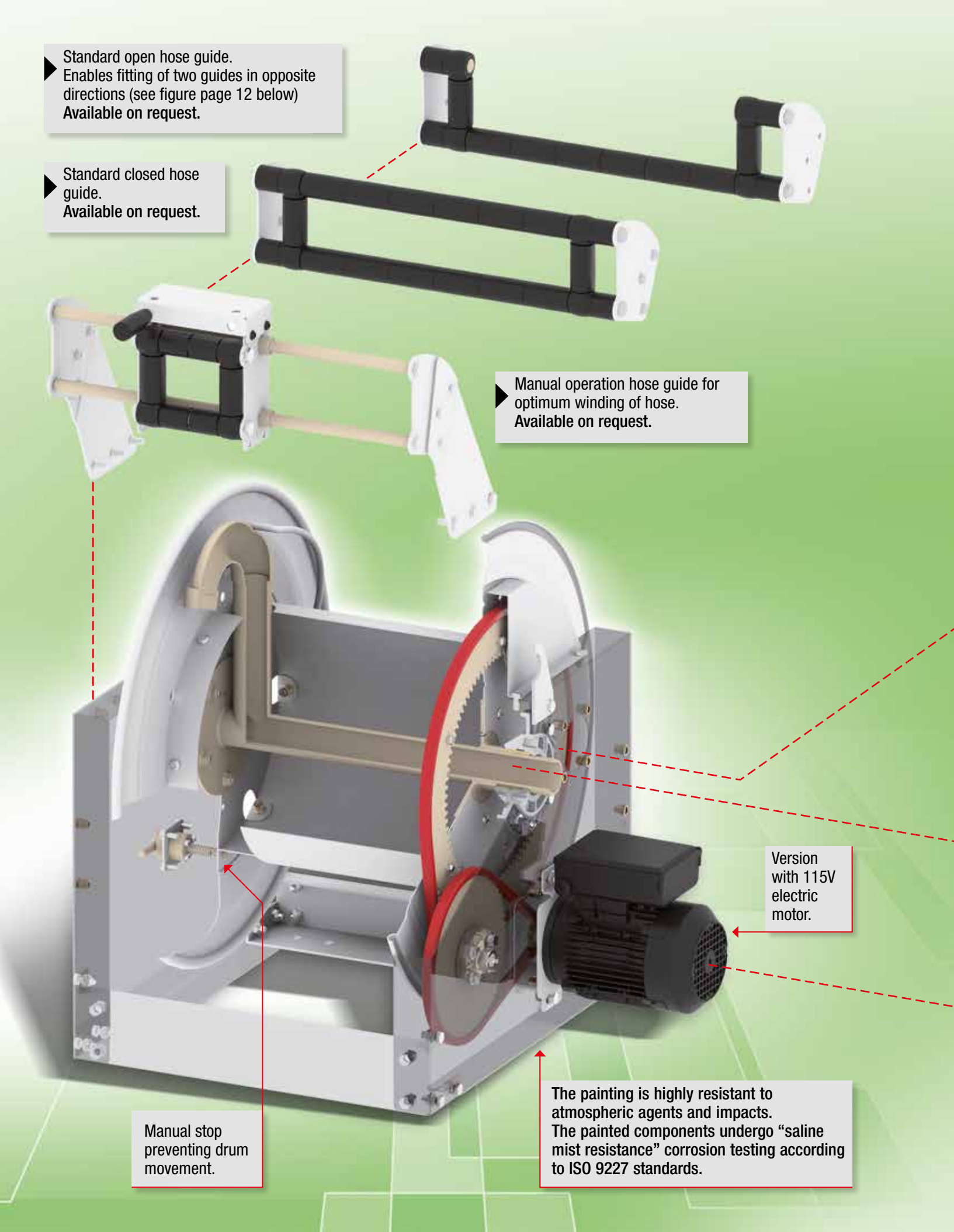
▶ Standard closed hose guide.  
Available on request.

▶ Manual operation hose guide for optimum winding of hose.  
Available on request.

Version with 115V electric motor.

Manual stop preventing drum movement.

The painting is highly resistant to atmospheric agents and impacts. The painted components undergo "saline mist resistance" corrosion testing according to ISO 9227 standards.



# Technical characteristics



The exploded view below enables easy identification of the main parts making up the industrial hose reel, at the same time indicating the technical features.

As well as being available with drums of 4 different widths, the various hose reel models differ for:

- type of motorization (manual, 24V electric, 115V electric, hydraulic, pneumatic)
  - 2" swivel joint max. pressure (300 psi or 1000 psi)
  - type and position of hose guide (available on request)
  - presence or not of the clutch which regulates the hose unwinding speed.
- All the models have a manual drum stop.



Version with 24V electric motor.



Version with pneumatic motor.



Version with hydraulic motor.

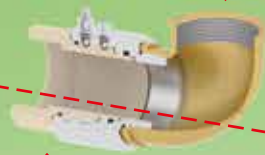


Version with handle connected to the rack.



Adjustable clutch for correct hose unwinding. Available on request.

Swivel joint with total passage so as not to hinder the flow.



Aluminium 300 psi.



Steel 1000 psi.



# SERIES 700 MANUAL

## PAINTED STEEL

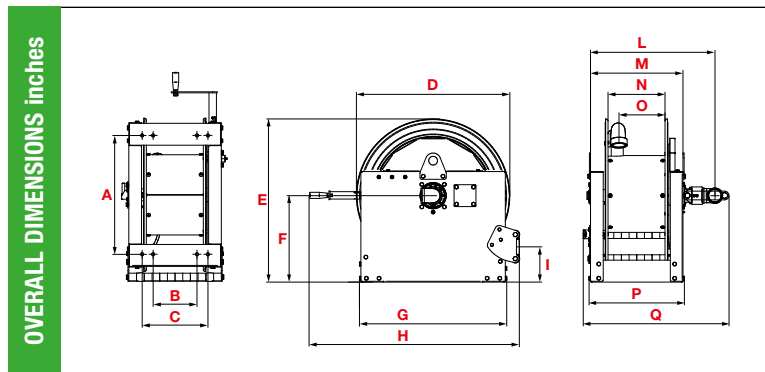
**The manual hose reels** are a handy and easy answer to the problem of hose management. Given their simple operation, they are practically maintenance free.

In accordance with directive



	drum width 11"	drum width 16"	drum width 21.5"	drum width 27"	Connection	
					inlet	outlet
<b>300 psi</b> Air - Water Diesel fuel - swivel joint aluminium - seals in Viton®	7721001.100-55	7741001.100-55	7751001.100-55	7771001.100-55	2"	2"
<b>1000 psi</b> Oil and allied products - swivel joint in carbon steel - seals in Viton®	7721001.400-55	7741001.400-55	7751001.400-55	7771001.400-55	2"	2"

DRUM CAPACITY	Ø HOSE	Ø HOSE EXT.	W 11"	W 16"	W 21.5"	W 27"
	3/8"	0.67"	525'	980'	1345'	1735'
	1/2"	0.8"	377'	720'	980'	1345'
	3/4"	1.06"	230'	430'	620'	790'
	1"	1.38"	98'	210'	330'	430'
	1.1/4"	1.7"	65'	150'	210'	280'
	1.1/2"	1.97"	50'	130'	180'	250'
	2"	2.48"	35'	65'	115'	150'



### Manual hose reel

The practical handle, connected to the external rack allows easy winding of the hose at the same time controlling its positioning on the drum. There is also an easy allocation where the handle can be stored during the un-winding operation.

Width	A	B	C	D	E	F	G	H	I	L	M	N	O	P	Q	1-ft <sup>3</sup>	lb
W 11"	21.3"	7.9"	11.8"	27.5"	30"	16.1"	26.4"	36.2"	6.3"	22.5"	16.6"	10.2"	8.3"	17.1"	25.2"	18.7	187
W 16"	21.3"	13.4"	17.3"	27.5"	30"	16.1"	26.4"	36.2"	6.3"	28.1"	22.1"	15.7"	13.8"	22.7"	29"	22.2	211
W 21.5"	21.3"	18.9"	22.9"	27.5"	30"	16.1"	26.4"	36.2"	6.3"	33.5"	27.8"	21.2"	19.3"	28.2"	34.5"	25.8	227
W 27"	21.3"	24.4"	28.4"	27.5"	30"	16.1"	26.4"	36.2"	6.3"	39"	33.2"	26.8"	24.8"	33.7"	41.8"	29	262



# TECHNICAL CHARACTERISTICS

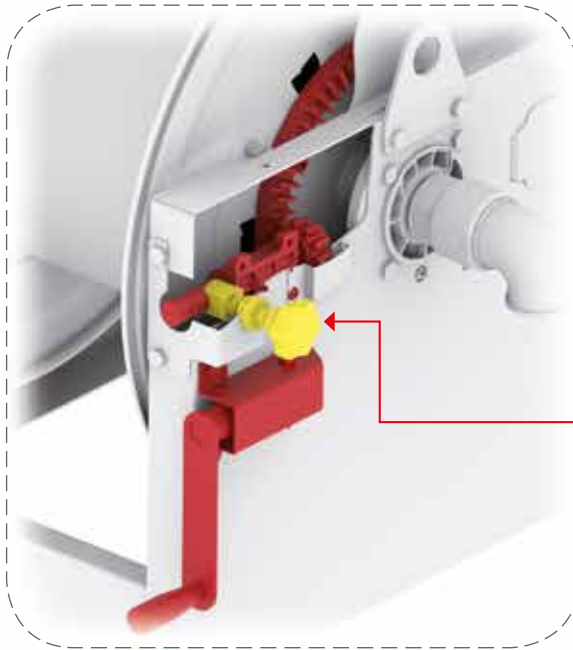
## handle - clutch

### Position of handle with clutch

The clutch is indispensable for regulating the hose unwinding speed and preventing the drum from turning empty due to inertia. The hose reel comes with the winding handle and clutch in the standard position as shown in the photo opposite.

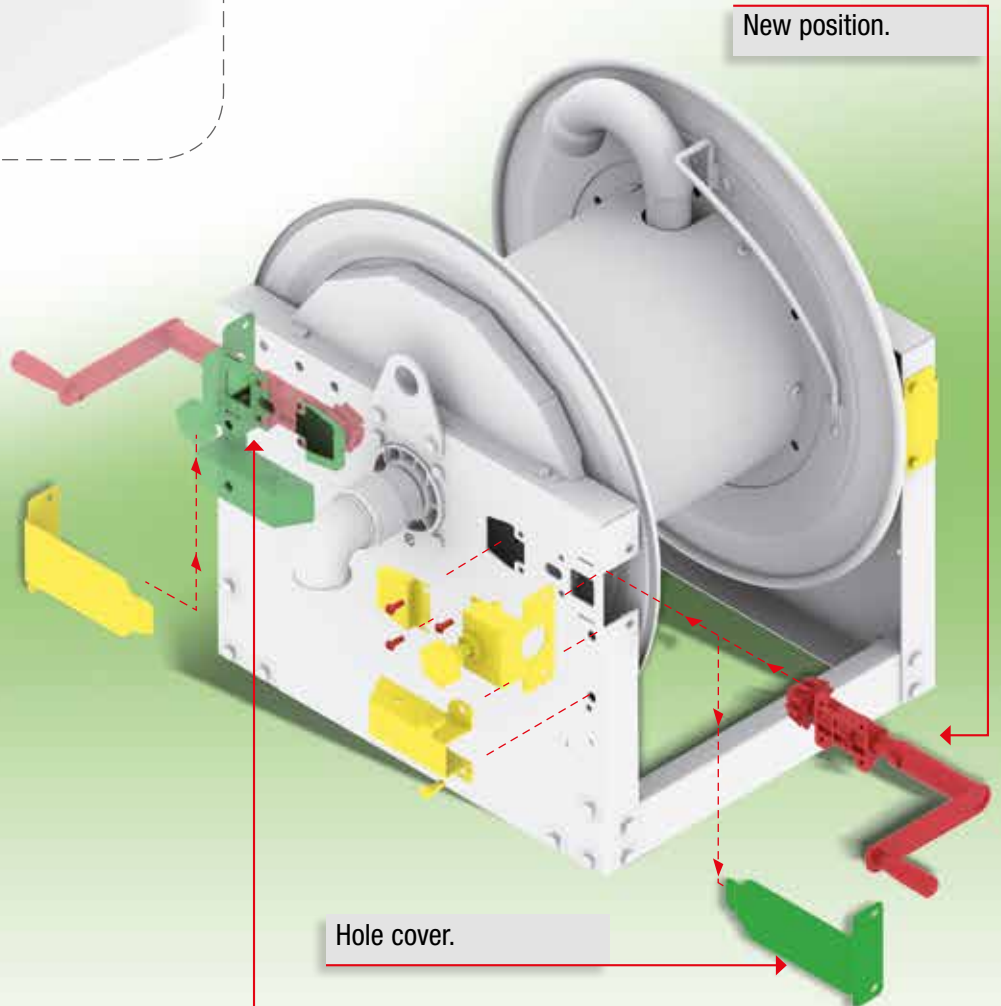


The clutch in POM, which acts on the handle (to be used only during unwinding), creates the necessary friction on the pinion, for regulating hose unwinding speed.



### Shifting the handle with clutch

If required by hose reel use, the handle and clutch can be shifted from the standard position indicated above to the position shown in the figure opposite, by means of two simple operations.



Standard position.

Hole cover.

New position.



# SERIES 700 ELECTRIC 24V

## PAINTED STEEL

The hose reels with 24V electric motor are a handy and easy answer to the problem of hose management. Hose unwinding occurs manually whereas rewinding is done with the electric motor connected to a battery or an electrical transformer.



	Note: All the hose reels in the table are without hose	drum width 11"	drum width 16"	drum width 21.5"	drum width 27"	Connection	
						inlet	outlet
<b>300 psi</b> Air - Water Diesel fuel - swivel joint aluminium - seals in Viton®		7721301.100-55	7741301.100-55	7751301.100-55	7771301.100-55	2"	2"
<b>1000 psi</b> Oil and allied products - swivel joint in carbon steel - seals in Viton®		7721301.400-55	7741301.400-55	7751301.400-55	7771301.400-55	2"	2"

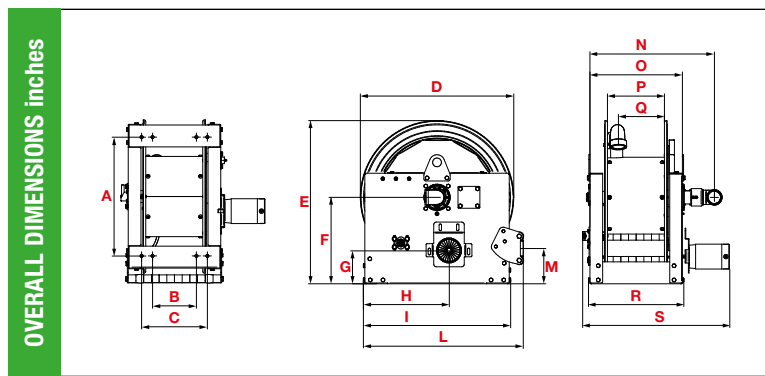
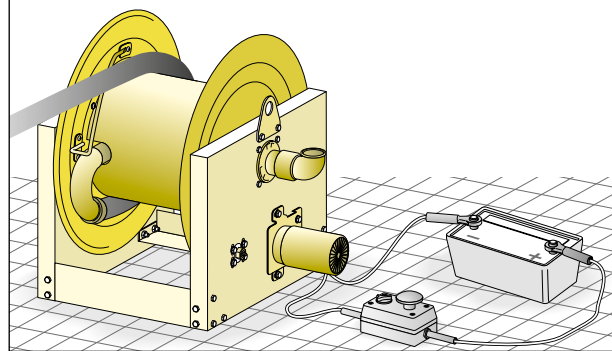
DRUM CAPACITY	Ø HOSE	Ø HOSE EXT.	W 11"	W 16"	W 21.5"	W 27"
	3/8"	0.67"	525'	980'	1345'	1735'
	1/2"	0.8"	377'	720'	980'	1345'
	3/4"	1.06"	230'	430'	620'	790'
	1"	1.38"	98'	210'	330'	430'
	1.1/4"	1.7"	65'	150'	210'	280'
	1.1/2"	1.97"	50'	130'	180'	250'
	2"	2.48"	35'	65'	115'	150'

### 24V electric hose reel power supply

The 24V motor can be connected to a battery or a current transformer connected to the 115V mains. An On/Off switch must be installed between the power supply and the hose reel.

24V DC MOTOR, 300W POWER

**⚠ Attention:** check the electrical connection for the correct direction of motor rotation.



Width	A	B	C	D	E	F	G	H	I	L	M	N	O	P	Q	R	S	1-ft <sup>3</sup>	lb
W 11"	21.3"	7.9"	11.8"	27.5"	30"	16.1"	5.9"	15.4"	26.4"	28.8"	6.3"	22.5"	16.6"	10.2"	8.3"	17.1"	24.8"	18.7	220
W 16"	21.3"	13.4"	17.3"	27.5"	30"	16.1"	5.9"	15.4"	26.4"	28.8"	6.3"	28.1"	22.1"	15.7"	13.8"	22.7"	30.3"	22.2	242
W 21.5"	21.3"	18.9"	22.9"	27.5"	30"	16.1"	5.9"	15.4"	26.4"	28.8"	6.3"	33.5"	27.8"	21.2"	19.3"	28.2"	36.1"	25.8	258
W 27"	21.3"	24.4"	28.4"	27.5"	30"	16.1"	5.9"	15.4"	26.4"	28.8"	6.3"	39"	33.2"	26.8"	24.8"	33.7"	40"	29	293



# SERIES 700 ELECTRIC 115V

## PAINTED STEEL

The hose reels with 115V electric motor are a handy and easy answer to the problem of hose management. Hose unwinding occurs manually whereas rewinding is done with the electric motor appropriately connected to the 115V power supply.

On request hose reels are available with following Atex Certification



	Note: All the hose reels in the table are without hose	drum width 11"	drum width 16"	drum width 21.5"	drum width 27"	Connection	
						inlet	outlet
<b>300 psi</b> Air - Water Diesel fuel - swivel joint aluminium - seals in Viton®		7721601.100-55	7741601.100-55	7751601.100-55	7771601.100-55	2"	2"
<b>1000 psi</b> Oil and allied products - swivel joint in carbon steel - seals in Viton®		7721601.400-55	7741601.400-55	7751601.400-55	7771601.400-55	2"	2"

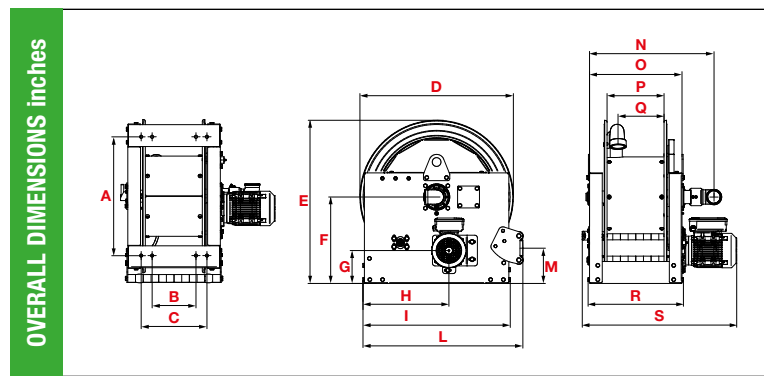
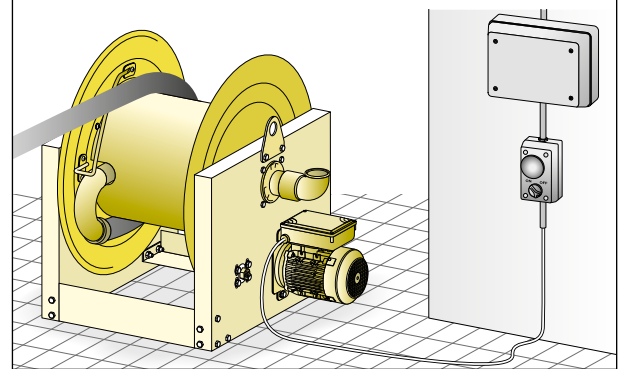
DRUM CAPACITY	Ø HOSE	Ø HOSE EXT.	W 11"	W 16"	W 21.5"	W 27"
	3/8"	0.67"	525'	980'	1345'	1735'
	1/2"	0.8"	377'	720'	980'	1345'
	3/4"	1.06"	230'	430'	620'	790'
	1"	1.38"	98'	210'	330'	430'
	1.1/4"	1.7"	65'	150'	210'	280'
	1.1/2"	1.97"	50'	130'	180'	250'
	2"	2.48"	35'	65'	115'	150'

### 115V electric hose reel power supply

The On/Off push button must be installed **between the electric motor and 115V power supply**. An internal reduction unit allows the hose to be correctly wound on the drum.

**SINGLE-PHASE 115V DC MOTOR, 370W POWER AND CONDENSER TO INCREASE INITIAL INRUSH**

**⚠ Attention:** check the electrical connection for the correct direction of motor rotation.



Width	A	B	C	D	E	F	G	H	I	L	M	N	O	P	Q	R	S	1-ft <sup>3</sup>	lb
<b>W 11"</b>	21.3"	7.9"	11.8"	27.5"	30"	16.1"	5.9"	15.4"	26.4"	28.8"	6.3"	22.5"	16.6"	10.2"	8.3"	17.1"	26.8"	18.7	225
<b>W 16"</b>	21.3"	13.4"	17.3"	27.5"	30"	16.1"	5.9"	15.4"	26.4"	28.8"	6.3"	28.1"	22.1"	15.7"	13.8"	22.7"	33.3"	22.2	249
<b>W 21.5"</b>	21.3"	18.9"	22.9"	27.5"	30"	16.1"	5.9"	15.4"	26.4"	28.8"	6.3"	33.5"	27.8"	21.2"	19.3"	28.2"	38"	25.8	264
<b>W 27"</b>	21.3"	24.4"	28.4"	27.5"	30"	16.1"	5.9"	15.4"	26.4"	28.8"	6.3"	39"	33.2"	26.8"	24.8"	33.7"	43.3"	29	300



# SERIES 700 HYDRAULIC

## PAINTED STEEL

The hose reels with hydraulic motor are a handy and easy answer to the problem of hose management. Hose unwinding occurs manually whereas rewinding is done with the hydraulic motor connected to a special control unit as indicated in the figure below.



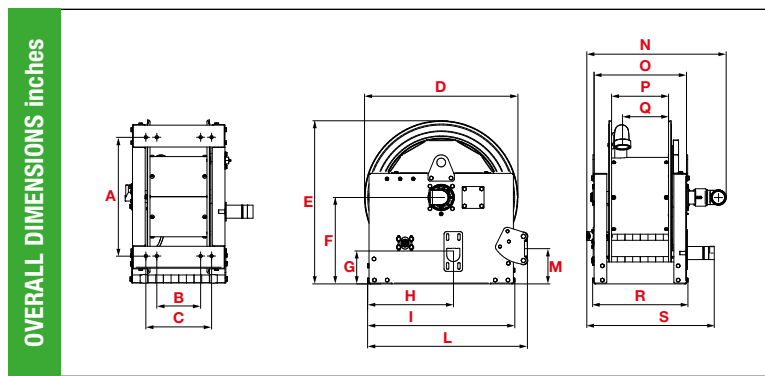
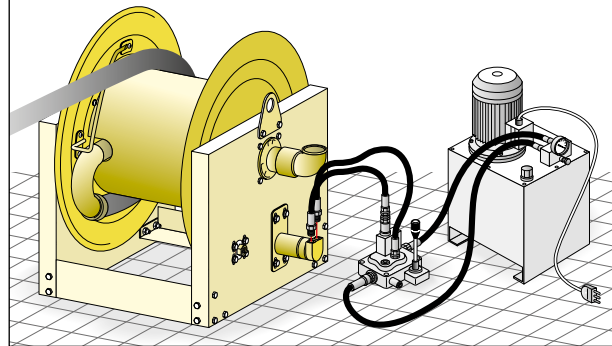
	Note: All the hose reels in the table are without hose	drum width	drum width	drum width	drum width	Connection	
		11"	16"	21.5"	27"	inlet	outlet
<b>300 psi</b> Air - Water Diesel fuel - swivel joint aluminium - seals in Viton®		7721801.100-55	7741801.100-55	7751801.100-55	7771801.100-55	2"	2"
<b>1000 psi</b> Oil and allied products - swivel joint in carbon steel - seals in Viton®		7721801.400-55	7741801.400-55	7751801.400-55	7771801.400-55	2"	2"

DRUM CAPACITY	Ø HOSE	Ø HOSE EXT.	W 11"	W 16"	W 21.5"	W 27"
	3/8"	0.67"	525'	980'	1345'	1735'
	1/2"	0.8"	377'	720'	980'	1345'
	3/4"	1.06"	230'	430'	620'	790'
	1"	1.38"	98'	210'	330'	430'
	1.1/4"	1.7"	65'	150'	210'	280'
	1.1/2"	1.97"	50'	130'	180'	250'
	2"	2.48"	35'	65'	115'	150'

### Hydraulic hose reel feed

The hydraulic motor must be connected to a special control unit equipped with a pump with electric motor, hydraulic oil tank and a control system operated by the user to rewind the hose.

HYDRAULIC MOTOR, OIL PRESSURE MAX. 2465 psi  
FOR A FEED OF 1.32 gpm



Width	A	B	C	D	E	F	G	H	I	L	M	N	O	P	Q	R	S	1-ft <sup>3</sup>	lb
W 11"	21.3"	7.9"	11.8"	27.5"	30"	16.1"	5.9"	15.4"	26.4"	28.8"	6.3"	25.2"	16.6"	10.2"	8.3"	17.1"	21.8"	18.7	200
W 16"	21.3"	13.4"	17.3"	27.5"	30"	16.1"	5.9"	15.4"	26.4"	28.8"	6.3"	30.8"	22.1"	15.7"	13.8"	22.7"	27.3"	22.2	225
W 21.5"	21.3"	18.9"	22.9"	27.5"	30"	16.1"	5.9"	15.4"	26.4"	28.8"	6.3"	36.2"	27.8"	21.2"	19.3"	28.2"	33.1"	25.8	240
W 27"	21.3"	24.4"	28.4"	27.5"	30"	16.1"	5.9"	15.4"	26.4"	28.8"	6.3"	41.8"	33.2"	26.8"	24.8"	33.7"	38.4"	29	275



# SERIES 700 PNEUMATIC

## PAINTED STEEL

The hose reels with pneumatic motor are a handy and easy answer to the problem of hose management. Hose unwinding occurs manually whereas rewinding is done with the pneumatic motor connected to the compressed air supply as indicated in the figure below.

Mounting the clutch P/N 77/2F hose reels is in accordance with the Atex Certification



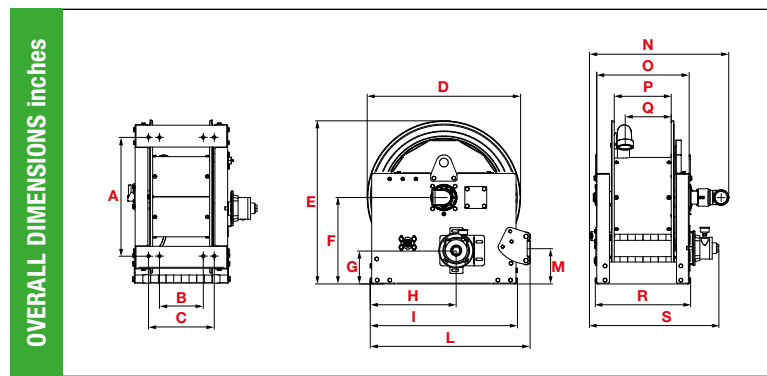
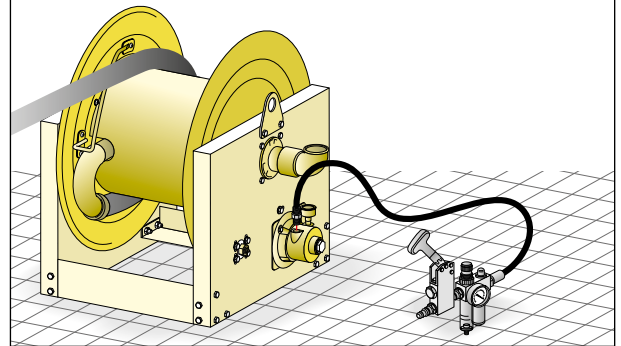
	Note: All the hose reels in the table are without hose	drum width	drum width	drum width	drum width	Connection	
		11"	16"	21.5"	27"	inlet	outlet
<b>300 psi</b> Air - Water Diesel fuel - swivel joint aluminium - seals in Viton®		7721901.100-55	7741901.100-55	7751901.100-55	7771901.100-55	2"	2"
<b>1000 psi</b> Oil and allied products - swivel joint in carbon steel - seals in Viton®		7721901.400-55	7741901.400-55	7751901.400-55	7771901.400-55	2"	2"

DRUM CAPACITY	Ø HOSE	Ø HOSE EXT.	W 11"	W 16"	W 21.5"	W 27"
	3/8"	0.67"	525'	980'	1345'	1735'
	1/2"	0.8"	377'	720'	980'	1345'
	3/4"	1.06"	230'	430'	620'	790'
	1"	1.38"	98'	210'	330'	430'
	1.1/4"	1.7"	65'	150'	210'	280'
	1.1/2"	1.97"	50'	130'	180'	250'
	2"	2.48"	35'	65'	115'	150'

### Pneumatic hose reel feed

The hose reel with pneumatic motor must be connected to the compressed air supply, interposing an open/close cock and a pressure regulator for controlling the rewinding force and speed.

PNEUMATIC MOTOR, OIL PRESSURE MAX. 100 psi  
FOR A CONSUMPTION OF 50/70 cfm



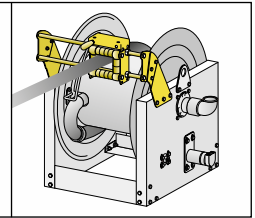
Width	A	B	C	D	E	F	G	H	I	L	M	N	O	P	Q	R	S	1-ft <sup>3</sup>	lb
<b>W 11"</b>	21.3"	7.9"	11.8"	27.5"	30"	16.1"	5.9"	15.4"	26.4"	28.8"	6.3"	25.2"	16.6"	10.2"	8.3"	17.1"	22.2"	18.7	216
<b>W 16"</b>	21.3"	13.4"	17.3"	27.5"	30"	16.1"	5.9"	15.4"	26.4"	28.8"	6.3"	30.8"	22.1"	15.7"	13.8"	22.7"	27.5"	22.2	240
<b>W 21.5"</b>	21.3"	18.9"	22.9"	27.5"	30"	16.1"	5.9"	15.4"	26.4"	28.8"	6.3"	36.2"	27.8"	21.2"	19.3"	28.2"	33.2"	25.8	256
<b>W 27"</b>	21.3"	24.4"	28.4"	27.5"	30"	16.1"	5.9"	15.4"	26.4"	28.8"	6.3"	41.8"	33.2"	26.8"	24.8"	33.7"	38.8"	29	289

# ACCESSORIES **hose guide on request**



## **Manual operation hose guide, high**

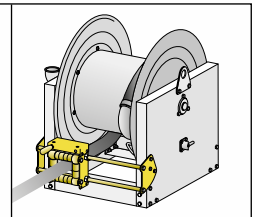
P/N 77/22775B-55 for width 11"  
P/N 77/24175B-55 for width 16"  
P/N 77/25575B-55 for width 21.5"  
P/N 77/26975B-55 for width 27"



Using the special knob, the operator shifts the hose to the right or left to ensure its correct rewinding.

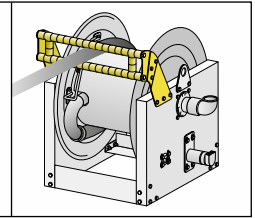
## **Manual operation hose guide, low**

P/N 77/22775-55 for width 11"  
P/N 77/24175-55 for width 16"  
P/N 77/25575-55 for width 21.5"  
P/N 77/26975-55 for width 27"



## **Hose guide standard closed, high**

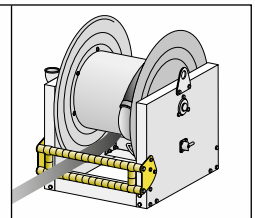
P/N 77/12775B-55 for width 11"  
P/N 77/14175B-55 for width 16"  
P/N 77/15575B-55 for width 21.5"  
P/N 77/16975B-55 for width 27"



Hose guide with rollers that ensure easy sliding of the hose during unwinding and rewinding.

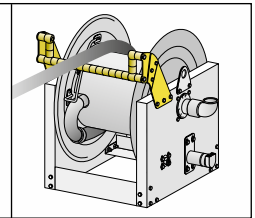
## **Hose guide standard closed, low**

P/N 77/12775-55 for width 11"  
P/N 77/14175-55 for width 16"  
P/N 77/15575-55 for width 21.5"  
P/N 77/66975-55 for width 27"



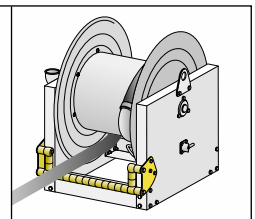
## **Hose guide standard open, high**

P/N 77/32775B-55 for width 11"  
P/N 77/34175B-55 for width 16.1"  
P/N 77/35575B-55 for width 21.5"  
P/N 77/36975B-55 for width 27"



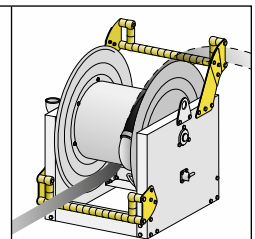
## **Hose guide standard open, low**

P/N 77/32775-55 for width 11"  
P/N 77/34175-55 for width 16.1"  
P/N 77/35575-55 for width 21.5"  
P/N 77/36975-55 for width 27"



## **Hose guide standard open, low.**

This type of hose guide enables fitting of both versions (high and low) on the same hose reel, allowing hose unwinding in two opposite directions.



# TECHNICAL CHARACTERISTICS

## clutch on request

### Hose reel with 24V - 115V ELECTRIC - HYDRAULIC - PNEUMATIC motor

The clutch is useful during hose unwinding which is always done manually. It acts on the connection between the crown gears of the hose reel, limiting sliding. Hose unwinding speed is limited by means of the regulating knob, thereby preventing the drum from continuing to turn due to inertia.

Connection between crown gears, on which the clutch acts.



Clutch regulating knob.

#### **P/N 77/2F-55 Clutch**

The clutch mounted on a freewheel bearing enables controlled unwinding of the hose, becoming neutral during rewinding.



24V ELECTRIC



115V ELECTRIC



HYDRAULIC



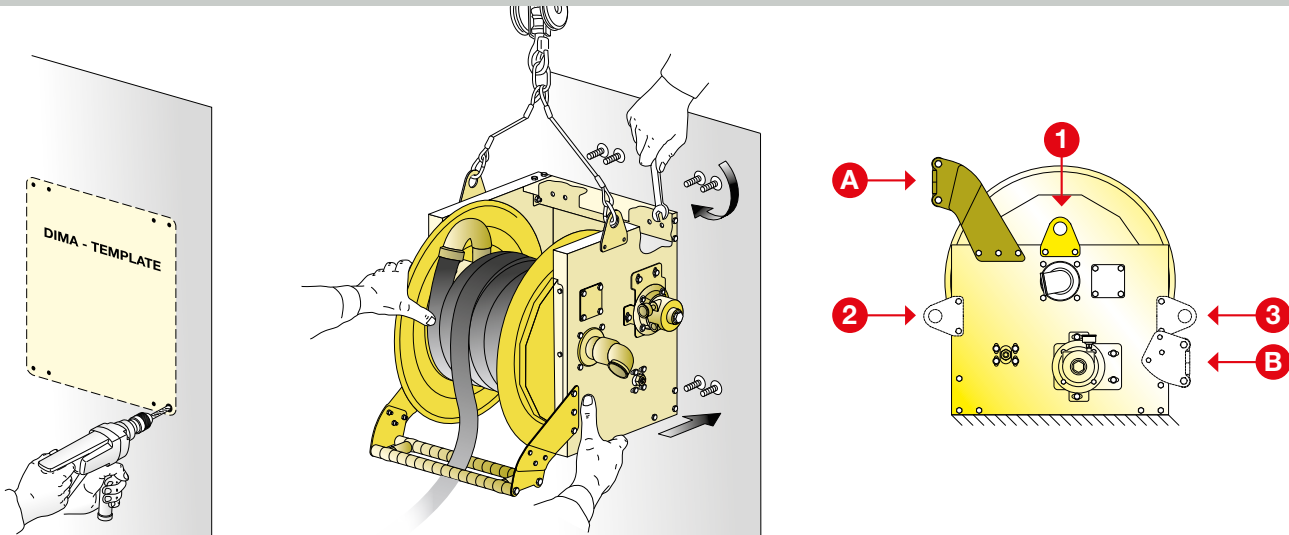
PNEUMATIC

# wall mounting

Drill the necessary holes after choosing the ideal position, checking the solidity and thickness of the wall, marking the holes for the plugs (see template supplied with the hose reel) and ensuring that they will not pierce any plumbing pipes or electrical cables. Fix the plugs in the wall and insert the hose reel in the special seats. Tighten the 4/8 fixing nuts.

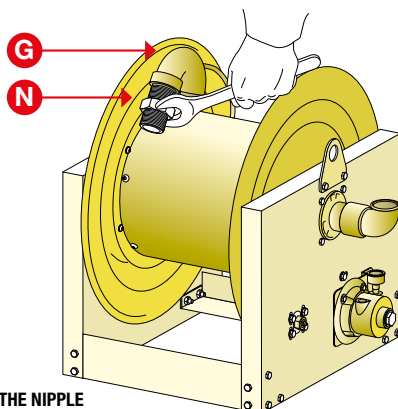
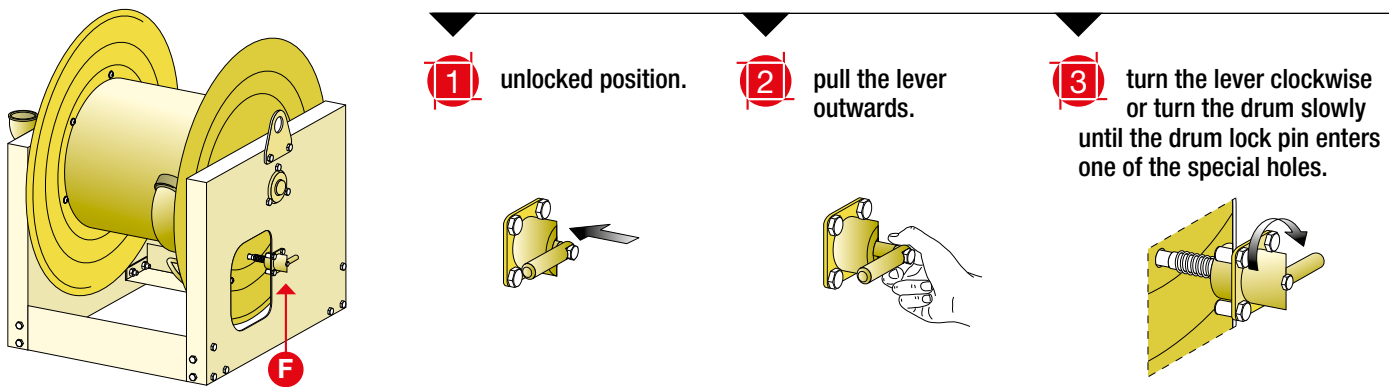
1 standard position of lifting hooks. 2 - 3 alternative positions of lifting hooks.

A - B positions of hose guides.

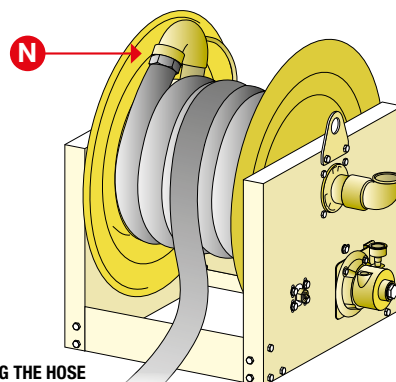


# fitting the hose

Before fitting, make sure the hose reel drum is locked by means of the special brake **F** (see procedures 1 - 2 - 3). Screw a Nipple **N** on the outlet elbow **G**, with sealant. Fit the hose on the Nipple **N**.

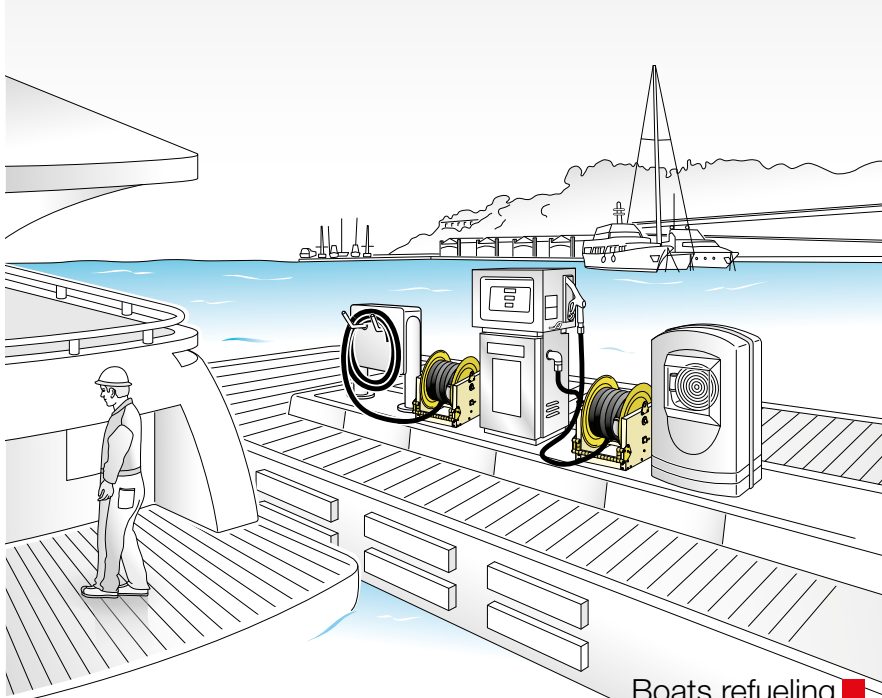


FITTING THE NIPPLE

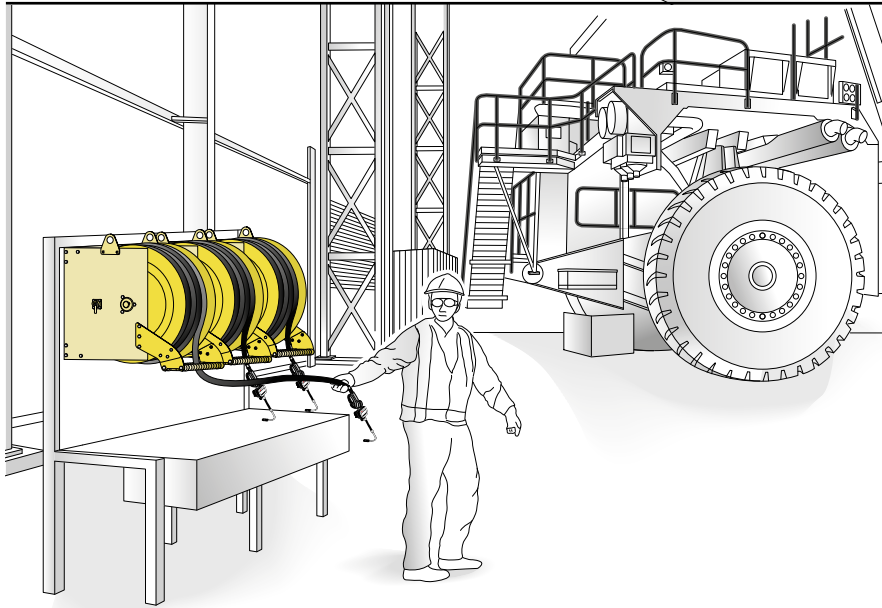


FITTING THE HOSE

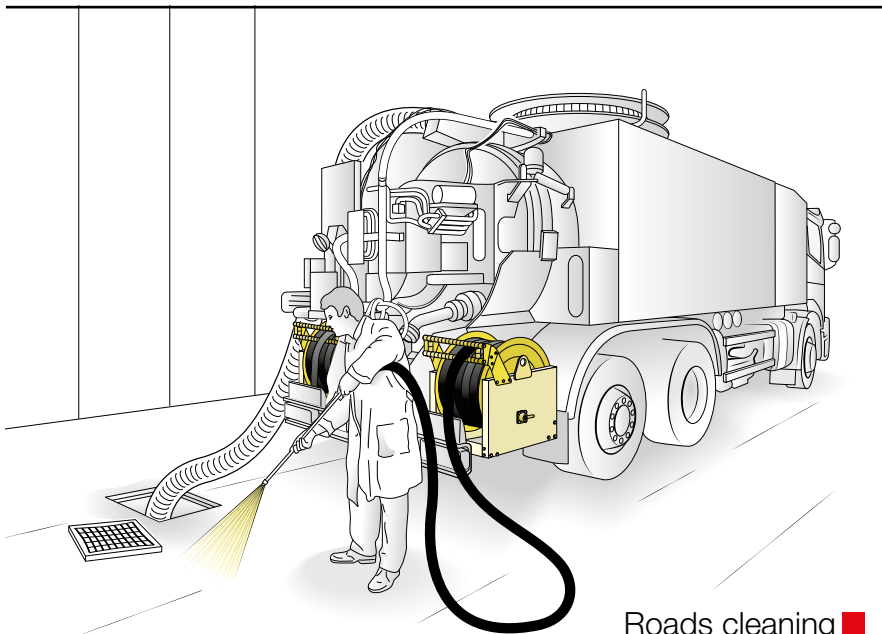




Boats refueling ■



Oil distribution ■



Roads cleaning ■



**ADVANCED FLUID  
MANAGEMENT SOLUTIONS**

## APPLICATION FIELDS

**RAASM** has created a wide range of industrial hose reels to meet the most complex needs in various application sectors such as:

**industry**

**agriculture**

**depots and refineries**

**mining**

**aviation**

**shipyards**

**fire brigades**

**automotive**

**... and many others**





**ADVANCED FLUID  
MANAGEMENT SOLUTIONS**



RAASM has a wide range of lubrication equipments and solutions. Please visit [www.raasmusa.com](http://www.raasmusa.com)



# ADVANCED FLUID MANAGEMENT SOLUTIONS

technology, efficiency, reliability

The starting point for the entire manufacturing cycle is the research and development of cutting-edge solutions for products fully made in Italy.

One of our most important target is to offer high level of quality. Rigorous tests follow every single phase of the manufacturing process.

RAASM offers the most complete range of fluid management solutions suitable for many sectors. Our success is founded upon our ability to identify and fulfill specific customers' requirements.



**RAASM USA, Inc.**  
1704 East Blvd, Suite 101  
Charlotte, NC 28203 USA

Phone +1 704 370 1906  
Fax +1 704 373 2603  
Toll free number +1 877 370 1906

info@raasmusa.com  
www.raasmusa.com

USA

WRUCA7002016-GB

Authorized dealer

All rights reserved to Raasm